

Galvanised and Stainless Steel

Mr Hydro Series, available in several versions, is the ideal machine to be used in humid or damp conditions. It is suitable for all applications where high hygienic standards, such as chemical, pharmaceutical and food & beverage industries, are enforced.



New: capacity 2.5T

12 months warranty

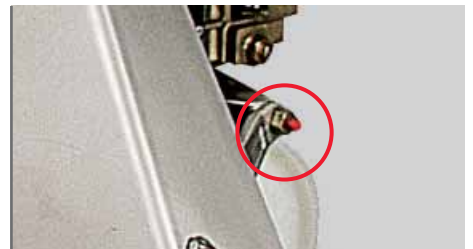


Hydraulic pump

In the stainless series, the hydraulic pump - in order to guarantee the maximum endurance in humid or damp conditions - is built with the same sea-bronze material used for ship propellers.

The electric polishing process provides an esthetic appeal, and with treatment that eliminates deterioration typical of models with standard painting, guarantees maximum hygiene.

Electric polishing



Grease Nipples

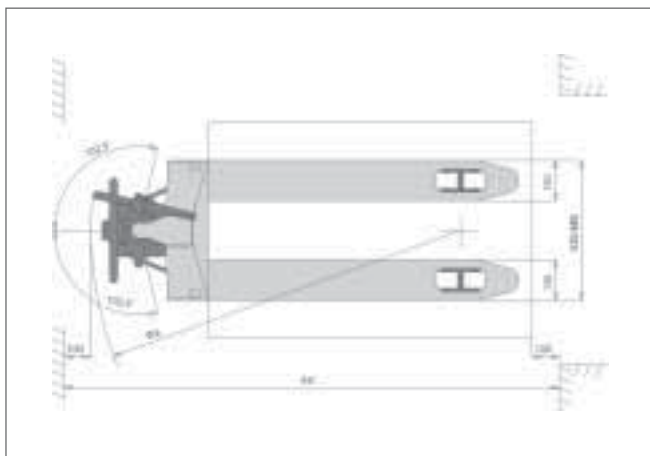
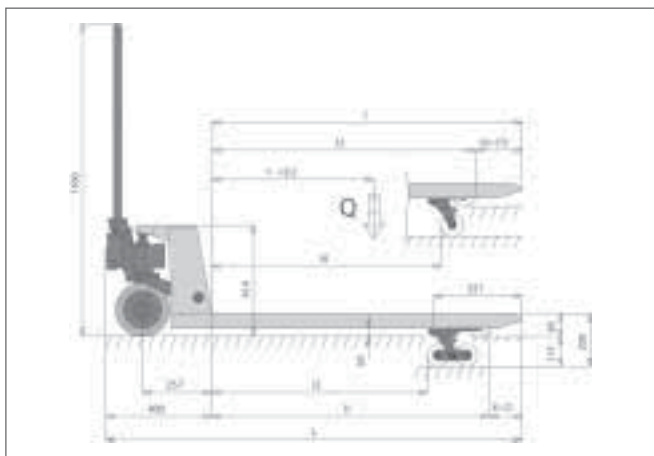
The Stainless Steel model has articulated joints fitted with grease nipples for simple lubrication.

HAND PALLET TRUCKS

SERIES GS Mr HYDRO

CODE		GK541000	GKB41000	GK501000	GKB01000	GKB65000	GL541000	GLB41000	GR541000	GRB41000
MODEL		25 S2/G	25 S4/G	25 S2/G	25 S4/G	25 S4/G	25 S2/X	25 S4/X	25 S2/I	25 S4/I
CAPACITY	kg	2500	2500	2500	2500	2500	2500	2500	2500	2500
ROLLERS	N°/*	2/N	4/N	2/N	4/N	4/N	2/NE	4/NE	2/NE	4/NE
WHEELS		N	N	N	N	N	NE	NE	NE	NE
DIMENSIONS										
FORK LENGTH	mm	1150	1150	800	800	1220	1150	1150	1150	1150
FORK WIDTH	mm	525	525	525	525	685	525	525	525	525
HEIGHT FROM THE FLOOR MIN/MAX	mm	85/200	85/200	85/200	85/200	85/200	85/200	85/200	85/200	85/200
WEIGHT	kg	66	70	56	60	77	66	70	66	70
FRAME										
WORKING CONDITION	°C	-12/+50	-12/+50	-12/+50	-12/+50	-12/+50	-30/+50	-30/+50	-30/+50	-30/+50
PUMP		GALVANIZED	GALVANIZED	GALVANIZED	GALVANIZED	GALVANIZED	GALVANIZED	GALVANIZED	BRONZE	BRONZE
FRAME		GALVANIZED	GALVANIZED	GALVANIZED	GALVANIZED	GALVANIZED	STAINLESS	STAINLESS	STAINLESS	STAINLESS
TIE-ROD		GALVANIZED	GALVANIZED	GALVANIZED	GALVANIZED	GALVANIZED	GALVANIZED	GALVANIZED	STAINLESS	STAINLESS
TIE BAR		GALVANIZED	GALVANIZED	GALVANIZED	GALVANIZED	GALVANIZED	GALVANIZED	GALVANIZED	STAINLESS	STAINLESS
HANDLE		GALVANIZED	GALVANIZED	GALVANIZED	GALVANIZED	GALVANIZED	STAINLESS	STAINLESS	STAINLESS	STAINLESS

*N=Nylon, NE=Nylon Extra (Nylon with sealed bearing)



I	800	1150	1220
I1	679	1029	1099
I2	450	800	870
I3	627	977	1047
I4	500	850	920
L	1200	1550	1620
Wa	1019	1367	1437
Ast	1484	1832	1902

The producer reserves the right to introduce changes to models and features without prior notice.